

# Product Specification

**Item No.:** AL-SL5050T60-RGBW

**Series:** Popular Type

Confirmation	Approval	Audit	Date	Version
Gang Li			2017/8/28	1.1

## Features

\*6 LED Per Cut, 24V

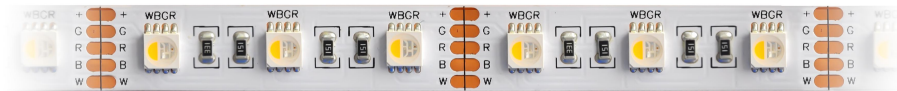
\*RGBW 4in1 color,more color mixing,beautiful lighting effect.

\*Using high quality 5050 RGBW SMD as light source.

\*IP54,IP65,IP67,IP68 waterproof optional,indoor and outdoor lighting application.

\*Max current of 5050 LED is 60mA.

## Pictures



## Dimensions







## Specifications

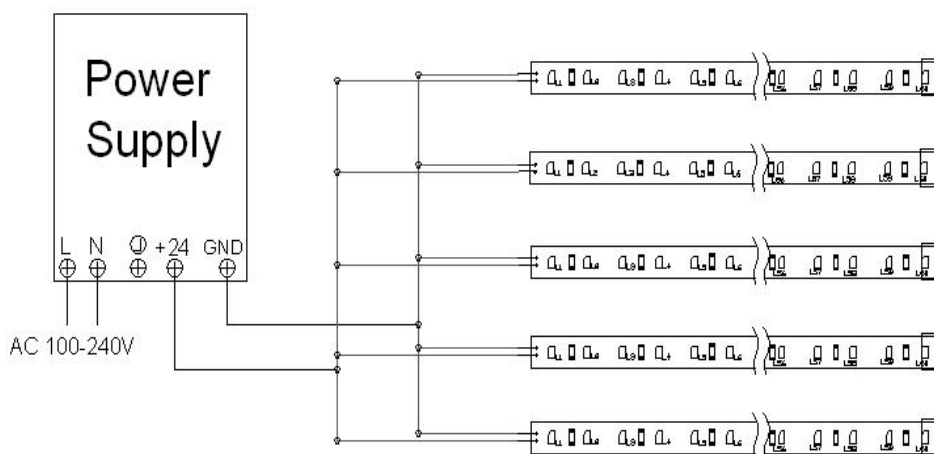
Item NO.	AL-SL5050T60-RGBW
Light Source	5050 SMD
Input Voltage	24VDC
PCB Width	12mm
Recommend Power	14.4W/M
Lumen/LED	Red:500MCD,Blue:400MCD,Green:1200MCD CCT:2700-3200K 4000K 6000-6500K
Efficiency	-
LED Qty/M	60
Length	5m/Roll
Size	5000mm *12mm * 1.3mm
Cutting Length	50mm
Lifespan	50,000 H
Working Temperature	-20°C - 50°C
Storage Temperature	-20°C - 65°C
Warranty	2 years

\* The above measurements of watts and efficiency allowance tolerance  $\pm 10\%$ .

## Waterproof Ways

Waterproof Ways	IP Rating	Details
	IP54	PU or Silicone glue on the surface of the led strips.
	IP65	Heat Shrink tube or Silicone tube for led strips.
	IP67	Hollow integrated silicone glue.
	IP68	Solid Integrated Silicone glue, or silicone glue with silicone tube.

## Installation Ways



\* The max running length for each line is 5 meters. Please install the strips in parallel when length is more than 5 meters.

\* Usually most of the power supply has a efficiency between 80%-95%, so when choosing the power supply, the total watts of the strips should be smaller than 80% of the rate power of the led strips.

## Applications

\* Used in linear lights as lighting source; used for indoor or outdoor decorations.